

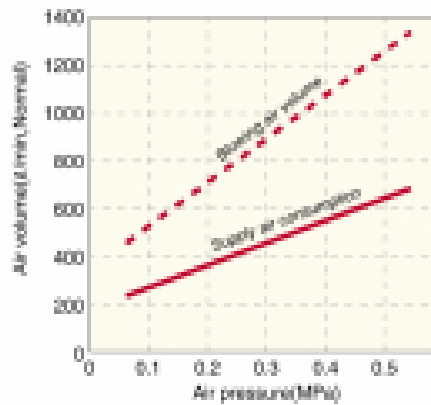
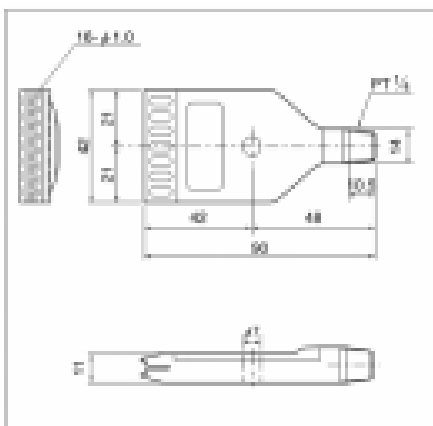
The Taifujet air nozzle provides a powerful concentrated blast of air with minimum noise level. Its unique design induces air around the jets to provide the highest effective air volume, and deliver the best operating efficiency.

Taifujets are made from chemical-resistant PPS (PolyPhenylene Sulfide); ABS or stainless steel.

APPLICATIONS

- Blow-off drying
- Blowing off dust
- Cooling and cleaning
- Stripping
- Air Curtain
- Transporting

Plastic Taifujet



Stainless Steel Taifujet

